

2420

**Vibratory Soil Compactor.
Rugged, Reliable, Proven**



ESCORTS



ESCORTS

2420

ESCORTS



Specifications 2420

Technical Data	2420 Standard	2420 Drum Drive	2420 IFC
----------------	---------------	-----------------	----------

WEIGHTS

Maximum Weight	11950	12150	12150
Operating Weight	11430	11630	11630
Weight On Drum	6800	6800	6800
Weight On Tyres	4630	4630	4630
Static Linear Load Front	30.6	31.8	-

DIMENSIONS

Working Width	2140	2140	2140
Drum Diameter	1500	1500	1494
Turning Radius Outside/Inside	6340/4200	6340/4200	6340/4200
Plat Feet No.	-	-	140
Plat Feet Height	-	-	100 mm
Plat Feet Area	-	-	146 cm ²

ENGINE

Make	HA 684
Specification	KOEL
Rated power	Air Cooled, 6 Cylinder meeting Bharat Stage II (CEV) Emission Norms 82 kW / 112 HP AT 2500 RPM

DRIVE

Hydraulic Drive, Infinitely Variable	AI - wheel	AI - wheel	AI - wheel
Planetary Aids With No-spin Differential	-	-	-

SPEED

Working Speed	0-10.3	0-7.2	0-8
Travelling Speed	0-19.7	0-13.6	0-16.0
Gradeability	%	40	40

VIBRATION SYSTEM

Hydraulic Drive, Proportional Control	33 Hz@2 Hz	33 Hz@2 Hz	33 Hz@2 Hz
Frequency	1.9 mm@0.8 mm	1.9 mm@0.8 mm	1.9 mm@0.8 mm
Nominal Amplitude	Articulated Hydraulic Steering	-	-

STEERING

Frame Steering	± 30°	± 30°	± 30°
Quad Motion Angle	± 10°	± 10°	± 10°

BRAKES

Service Brake	Hydraulic
Parking Brake	Spring applied hydraulically released (SAHR)
Emergency Stop	Hydraulic drive & spring applied brakes

TYRES

Profile Tyres 23.1 R 16 - 30 13PR

TANK CAPACITY

Fuel Tank Capacity	235 lt	235 lt	235 lt
Hydraulic Oil Tank Capacity	80 lt	80 lt	80 lt

ELECTRICAL SYSTEM

Operating Voltage 12 v 150A/wh.

STANDARD FITMENT

Canopy spring suspended operator platform, access from both sides, cushioned seat, pilot lights back-up alarm, instrument panel with a range of control instruments including hour meter, light equipment.

SAFETY FEATURES

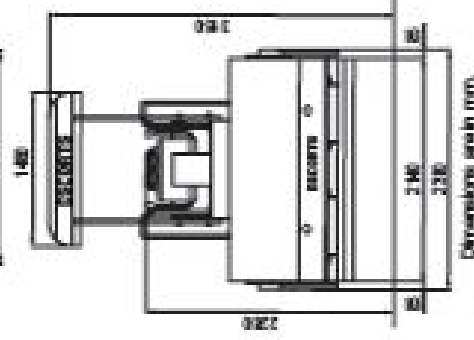
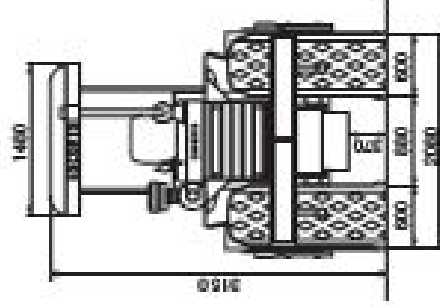
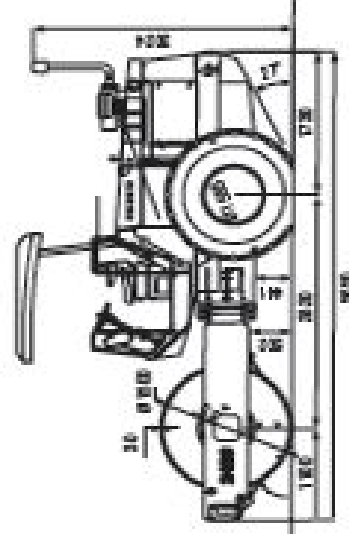
Neutral start switch, air filter drop indicator, hydraulic filter drop indicator, v-belt fail up warning horn.

OPTIONAL FITMENT

Standard POPS, cab with roof & mirrors, windscreen wiper front, mirrors outside/cab, cab heating, air-conditioning, sun screen, interior light, flashing beacon, compactometer, documentation system & tachograph, safety belt.

Vibratory Soil Compactor.

Vibratory Compactor



Escorts Construction Equipment Limited

Plot No. 2-9, Sector-69, Badli, Gurgaon, Faridabad (Haryana) - 121 004, INDIA
Tel.: (9129) 230023/06070, Toll free no: 1800-180-1810, Fax: (0129) 2309403
E-mail: marketing@escorts-eel.com
Website: www.escs.com

Dealer Stamp/ Address