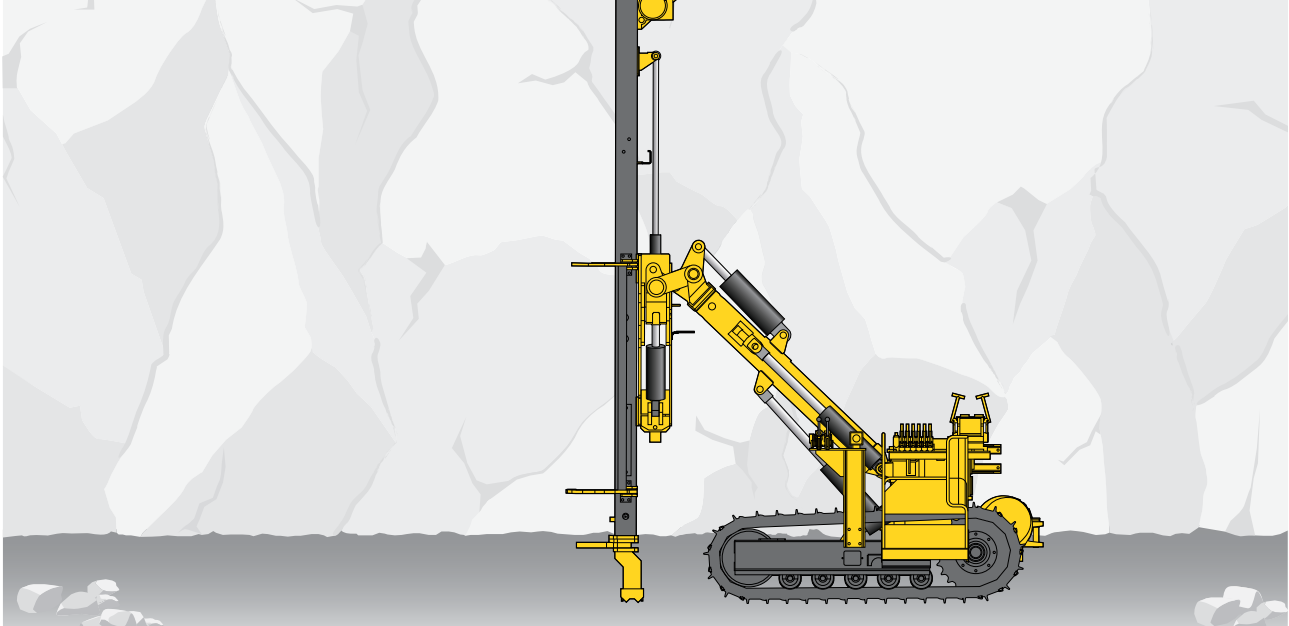


Atlas Copco Surface drill rig

CM 341

Technical specification



High air pressure surface down-the-hole rig

1. Outstanding performance and excellent availability
2. Powerful and versatile
3. Simple to operate and easy to maintain

CM 341 is intended for quarrying and open pit mining. The main components are:

- Pneumatic operated hydraulic power pack for hydraulic cylinders
- Pneumatic powered traction motors
- Track chains with 260 mm track shoes
- Hydraulic track oscillation
- Towing hook
- 7 bar and 14 bar air line and oil lubrication system
- Single section boom system
- Pneumatic operated chain feed for 3 000 mm (10ft.) drill tubes
- Manual drill steel support
- Side-mounted drilling control panels
- Side-mounted tramping and positioning controls
- Extra air outlet for cleaning or running air tools (e.g. grinding equipment)

Hole range				
	Pipe size		Recommended hole range	
CM 341 BRH	76 mm	3"	105-115 mm	4 1/8" - 4 1/2"
CM 341 ARH	76, 89, 102 mm	3", 3 1/2", 4"	115-140 mm	4 1/2" - 5 1/2"

Specifications

CM 341

Carrier

- Tramming speed, max 3 km/h 1.86 mph
- Traction force, max 32.5 kN 7 306 lbf
- Track oscillation ±10°
- Ground clearance 254 mm 10"
- Hill climbing ability 30 deg max. (w/o compressor)

Volumes

- Hydraulic oil tank 57 l 15 US gal
- Hydraulic system, total 62 l 16.4 US gal
- Traction gear 2 l 0.53 US gal
- Lubrication tank (HECL) 7.6 l 2 US gal

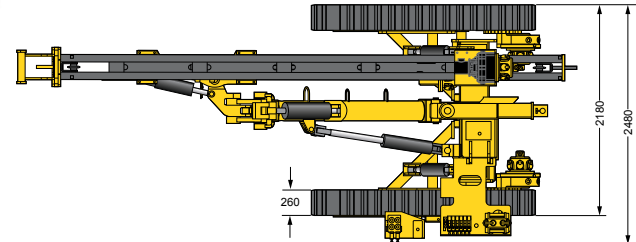
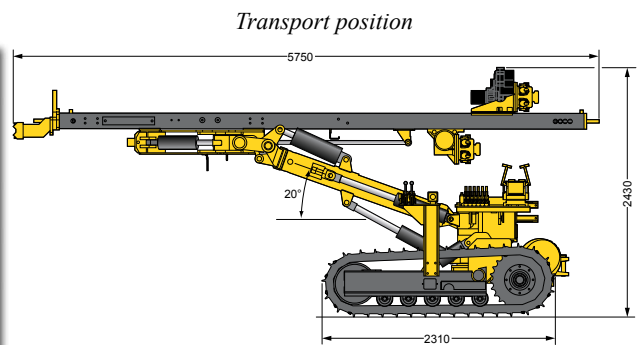
All performance parameters above are valid for 7 bar air pressure

Steel feed

- Pneumatic-driven chain feed
- Feed extension 1 219 mm 48"
 - Feed rate, max 0.25 m/s 49.2 ft/min
 - Feed force, max 21 kN 4 720 lbf
 - Tractive pull, max 14 kN 3 372 lbf
 - Total length 5 750 mm 226.3"
 - Travel length 4 250 mm 167.3"

Transport dimensions

Height and length		
Tramming position		
Height	2 250 mm	7'5 1/2"
Length	5 750 mm	226 1/2"
Transportation position		
Height	2 430 mm	8'
Length	5 750 mm	18'10 1/2"
Width	2 480 mm	8'2"



Weight

Weight	
<i>Standard unit excluding all options and drill steel</i>	
4 800 kg	10 582 lb

Optional equipment

- Mechanical hole inclination instrument, type ROC ANGLE
- Water injection system with pneumatic pump
- Water mist flushing system with pressurised tank
- Dust collector DCT 140 with rubber dust outlet - supplied with dust collection skirt or disc
- Manual Rod Changer (2 Rods)

Air consumption and compressor recommendation

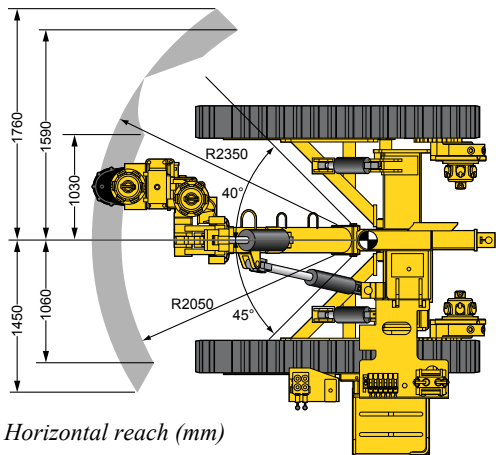
Component	Production country	Operating pressure (bar)	Air consumption (l/sec)	DTH hammer								
				10.5 bar				14 bar				
DTH hammers:												
TD 35	Sweden/India	10.5/14	103/135	103				135				
QL 40	USA/India	10.5/14	116/160		116				160			
COP 44	Sweden/India	10.5/14	95/135			95				135		
COP 54	Sweden	10.5/14	140/200				140				200	
Chain feed:												
DD6 FM1+CMFM	India	7	52	52	52	52	52	52	52	52	52	52
Rotation unit:												
BRH/ARH	India	7	61	61	61	61	61	61	61	61	61	61
Total air consumption excl. DCT				216	229	208	253	248	273	248	313	
Compressor recommendation:												
XAH 210 (Cummins)		10.5	214	(X)		(X)	(X)					
XAHS 675 (Cummins)		12	318	X	X	X	X					
XAVS 600 (Cummins)		14	283					X	(X)	(X)	X	
XAHS 236/506 (Mercedes/CAT)		12	235	(X)	(X)	X						
XAHS 306/676 (Mercedes/CAT)		12	317	X	X	X	X					
Dust collector:												
DCT 140E	India	6	65	65	65	65	65					
Total air consumption incl. DCT:				281	294	273	318					
Compressor recommendation:												
XAHS 675 (Cummins)		12	318	X	(X)	X	X					
XAHS 306/676 (Mercedes/CAT)		12	317	X	(X)	(X)	(X)					
XAHS 416/836 (Mercedes/CAT)		12	416				X					

Note

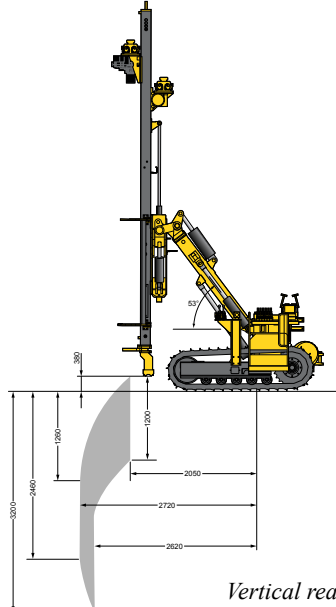
(X) on the margin

Air consumptions given are required volume for the respective hammer/drifter/DCT to function - additional volume of air required for flushing can vary. This depends on drilling depth and rock formation.

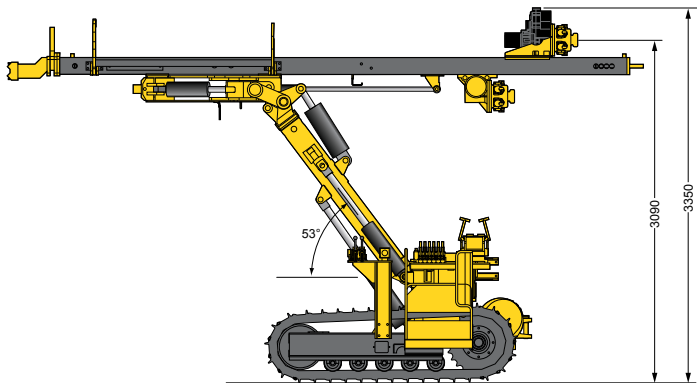
Coverage areas



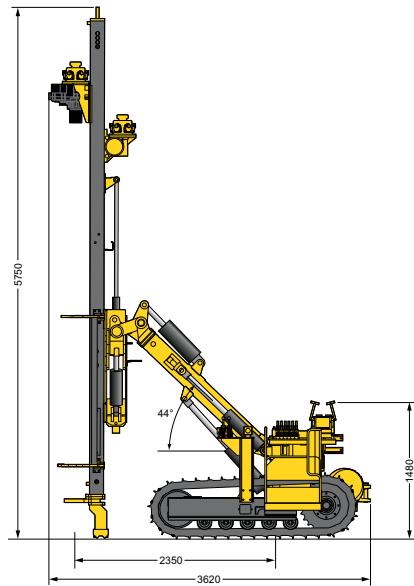
Horizontal reach (mm)



Vertical reach (mm)

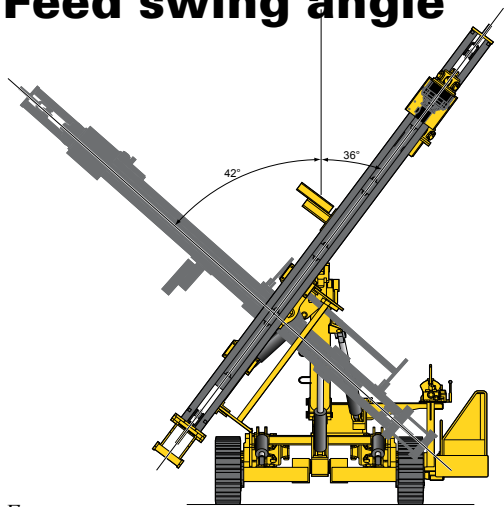


Maximum horizontal reach (mm)



Feed vertical on ground

Feed swing angle



Factory set-up



© Copyright 2008, Atlas Copco Rock Drills AB, Örebro, Sweden. All product names in this publication are trademarks of Atlas Copco. Any unauthorized use or copying of the contents or any part thereof is prohibited. Illustrations and photos in this brochure may show equipment with optional extras. No warranty is made regarding specifications or otherwise. Specifications and equipment are subject to change without notice. Consult your Atlas Copco Customer Center for specific information.