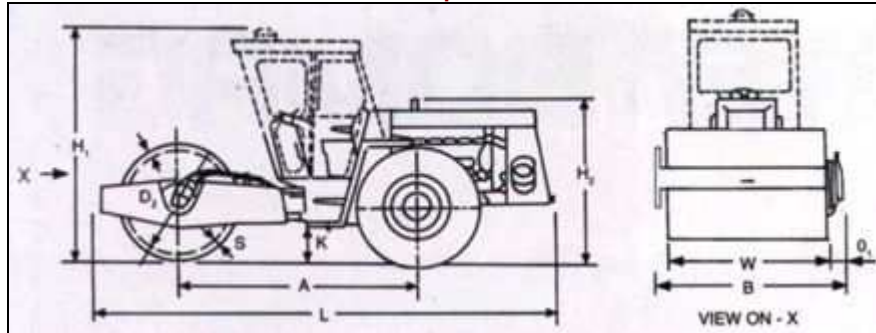


Greaves Single-Drum Vibratory Rollers BW 212-2 (2A)

Technical Specifications



Dimensions in mm (inch) BW 212-2 (2A)

A	B	D2	H1	H2	K	L	O1	S	W
3000(118.1)	2250(88.5)	1500(59)	2950(116.1)	2150(84.6)	400(15.7)	5760(226.8)	150(5.90)	36(1.4)	2100(82.7)

TECHNICAL DATA

BW 212 D-2 (2A)

WEIGHTS

Operating Weight (with Canopy)	kg	10176
Axle Load (Front)	kg	6215
Axle Load (Rear)	kg	3961
Static Linear Load	kg /cm	29.6

DIMENSIONS

Rolling Width	mm	2100
Height without ROPS	mm	2150
Drum Diameter	mm	1500
Drum Shell Thickness	mm	36
Overall Length	mm	5760
Wheel Base	mm	3000
Overall width	mm	2250
Ground Clearance	mm	400
Turning radius inside	mm	4560

DRIVING CHARACTERISTICS

Speed range 1	km/hr	0-10.4
Speed range 2	km/hr	0-18.0
Gradeability	%	30

DRIVE

Engine make & model	Kirloskar HA694
H.P & R.P.M.- DIN 6271 B	112 at 2500 r.p.m
Drive system	Hydrostatic
Drive axle	Rear
Size of tyres	23.1, 18-26, 8 PR

BRAKES

Service brake	Hydrostatic
Parking brake	Hydromech

STEERING

Steering System	Articulated
-----------------	-------------

Steering Method		Hydrostatic	
Steering angle	+/- degree	30	
Oscillation angle	+/- degree	8	
COMPACTION CHARACTERISTICS			
Vibratory Drive System		Hydrostatic	
Frequency (VPM)	Hz	Dual 31 (1860)	40(2400)
Amplitude	mm	Dual 1.67	19600
Centrifugal force	kg	Dual 25000	25815
Total applied force (drum)	kg	31215	122.9
Dynamic linear load front	kg/cm	148.6	

Note: Technical modifications reserved. Tolerance on weights \pm 1% over indicated values.