

NEW

JCB ROBOT 135 / 155 | SKID STEER LOADER



Best-in-class
Fuel Efficiency



Lowest Maintenance
Cost



High
Productivity



Unmatched Safety &
Operator Comfort



Highly
Versatile



Ease of Access &
Serviceability



High on Savings. High on Productivity





BEST IN CLASS

FUEL EFFICIENCY

JCB Robot is designed to work efficiently for any kind of application

- Saves fuel worth ₹3 Lacs in 3 years vs nearest competitor
- Engine has been designed to provide maximum performance with lowest fuel consumption

Optimized hydraulics and transmission systems to improve fuel efficiency



LOWEST

MAINTENANCE COST

JCB Robot is designed to give you maximum return with lowest cost of maintenance

- Comes with 1 year & 2000 hrs warranty
- 10% lower maintenance cost vs nearest competitor
- Low schedule maintenance frequency results in higher machine working hours
- Advanced fuel filtration system designed to work with poor quality fuel
- Specially designed water separator filter to water entry into the engine
- IP 67/69 certified dust & water proof electrical connectors





HIGH PRODUCTIVITY

Unmatched forces gives high productivity

- 20% better breakout forces to provide higher productivity and maximum output
- 7% higher lift height vs nearest competitor
- Overall 20% more productive vs nearest competitor
- 98 litre fuel tank ensures uninterrupted operations for long hours without refueling the tank. Double the capacity of the nearest competitor

BEST DUMP HEIGHT

The new design enables JCB Robot to lift higher, which is 7% better than the nearest competitor. This is suitable for dumper loading applications

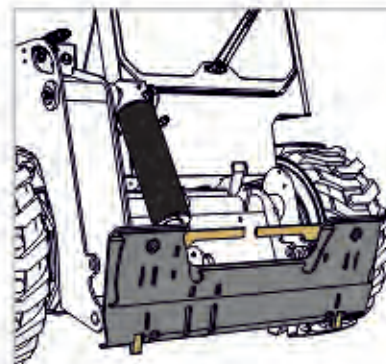


20% MORE productive

20% BETTER breakout forces

Unmatched structure & design helps machine perform in tougher applications and work in confined areas

- Single arm has 20% more high tensile strength steel with internal baffle plates for long life
- Hydraulic hoses are routed within the main boom structure giving maximum protection
- The JCB Loader comes with a large loader arm cross-member which provides added strength
- Mechanical quick hitch comes as standard for faster changeover of attachments in various applications



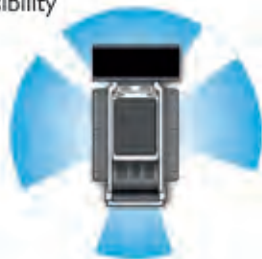


UNMATCHED SAFETY

Unmatched safety & best visibility makes operators comfortable, safe & productive at all times

- Unique side door entry allows the operator to easily enter & exit the machine without having to climb over attachments or under an unsupported boom
- With the single design power boom, operator has excellent visibility on the left & right side of the machine
- 3 emergency exit options available instead of rear window option in traditional twin arm machine
- The machine's cabin is equipped with grills (both sides) for the operator safety
- Servo Isolator switch for operator safety
- ROPS & FOPS level -I certified as standard
- Easy RTO registration across India

Competitor Skid Steer
165° Visibility



JCB Robot
270° Visibility





UNMATCHED OPERATOR COMFORT

Best in class cabin with low effort servo controls & unmatched comfort making operators more productive at all times

- 46% more cab volume and capacity vs competition
- Single door entry ensuring easy entry & exit for any size operator
- Fully adjustable mechanical seat for better comfort.
- Machine option controls are ergonomically placed at roof level in the operator's line-of-sight
- Operator friendly joystick enables the user to operate a wider variety of hydraulically driven attachments
- Low effort servo controls
- In-cab storage in the left arm rest and mechanical throttle on right hand side





HIGHLY VERSATILE

KEY FACT

JCB Robot's mechanical Quickhitch for easy interchange between range of attachments helps in performing array of jobs with utmost ease and comfort.

Range of 25 attachments helps machine to perform in various applications.

- 360 degree rotation helps in performing applications much faster even in the narrow and confined areas
- Mechanical Quickhitch lets operator to switch and use a wide range of attachments in minutes, improving the overall productivity & performance
- Standard auxillary controls help operator to perform applications quicker & more comfortably
- Single door design helps operator to perform typical attachment use without any extra manpower support as compared to twin arm design machines





RANGE OF ATTACHMENTS

JCB range of attachments make robot a one-stop-solution machine for any application. You can choose from 25 attachments for different nature of jobs

VIBRATORY ROLLER



- Sealed planetary gear reduction with heavy-duty gear design provides long life and minimal maintenance with low service costs.
- Drive units are completely sealed with all moving components operating in oil for constant lubrication.
- Hydraulic relief valve protects the unit from damage if auger comes in contact with a large immovable object.

INDUSTRIAL GRAPPLE



- Very effective attachment for different application i.e. solid waste management, sugarcane industry, small log handling etc.
- Bolt on toe-plate options.
- Quickhitch Mount for rapid changeover.

MUCK FORKS & GRAB



- Muck Fork of 0.56 cu.m with width of 59" is designed for better handling of object with single ram.
- Fitted with top grab that aids material retention.
- Fully Protected Hydraulics.
- Quickhitch mount for rapid changeover times.

INDUSTRIAL FORK



- Heavy-duty fork frame and tines rated at 2721kg capacity.
- Load capacity of the machine with fork is as per rated operating capacity of the machine specified.
- Loadguard design allows excellent visibility to the end of the forks.
- 42" (1069mm) or 48" (1219mm) heavy-duty fork tine options.

AUGER



- Sealed planetary gear reduction with heavy-duty gear design provides long life and minimal maintenance with low service costs.
- Drive units are completely sealed with all moving components operating in oil for constant lubrication.
- Hydraulic relief valve protects the unit from damage if auger comes in contact with a large immovable object.

SIX-IN-ONE SHOVEL



- 6-in-1 Bucket of 0.30 cu.m with width of 60" maximizes loader productivity giving the operator a wider choice of options.
- The options are dozing, loading, digging, grabbing, spreading and grading.

ROCK BREAKER



- JCB breakers feature outstanding impact energy and compact construction for class-leading power-to-weight performance.
- Sealed for life accumulator means the accumulator only needs recharging upon a full rebuild service, reducing maintenance costs.
- Stainless steel piston eliminates corrosion and offers greater protection to the seals.

GP SHOVEL



- General purpose bucket of 0.36 cu.m & 0.40 cu.m with width of 60" & 66" is designed for maximum performance and durability.
- Teeth and toe-plate options for even longer service life.
- Quickhitch mount for rapid change-over times, increases production time.
- Rolled back shell to reduce spoil retention.

SNOW BLOWER



- The JCB snow blower range features 2 stage design with the ability to throw snow as far as 45 ft (13716mm).
- A poly-lined chute and deflector are easily adjusted to direct the snow discharge using the JCB multi-function controls.
- The 25" (635mm) (standard flow) and 36" (914mm) (high flow) shroud openings allow high volumes of snow to be moved quickly.

SWEeper COLLECTOR



- Sweeps and collects with sweeping width of 60".
- Heavy duty designed enables sweeping of the planed trench.
- Quickhitch mount for rapid changeover times.
- Fitted with gutter brush to clear edges.
- Optional water sprinkler system available.

DOZER BLADE



- The JCB dozer blade will convert your skid steer or track loader into a compact bulldozer.
- Tilt and angle functions are easily adjusted during operation with the JCB multi-function controls.
- Blade angles 30° left or right of centre with 10° of tilt up or down from horizontal.
- Available in 84" (2134mm) and 96" (2438mm) wide models.

25⁺Plus ATTACHMENTS
ANY APPLICATION



EASE OF ACCESS & SERVICEABILITY

JCB skid steers are designed to be low on maintenance & easy to service.

- Large rear opening door provides exceptional access to engine area & all daily maintenance points.
- Tilting cab design enables easy access for better servicing.
- Battery isolator for safer maintenance
- Country wide support with 600+ touch points



Specifications



	Operating Weight	Operating Capacity	Power
135	2770 Kg	612 Kg	34 kw
155	2900 Kg	703 Kg	42.28 kw

STATIC DIMENSIONS

	135	155
	m (ft-in)	m (ft-in)
A Overall length	3.49 (11-5)	3.49 (11-5)
B Wheel base	1.07 (3-6)	1.07 (3-6)
C Angle of departure degrees	25°	25°
D Overall height	1.98 (6-6)	1.98 (6-6)
E Dump height	2.26 (7-5)	2.26 (7-5)
F Loadover height	2.84 (9-4)	2.84 (9-4)
G Height to hinge pin, fully raised	3.00 (9-10)	3.00 (9-10)
H Reach at ground level (cutting edge)	1.00 (3-3)	1.00 (3-3)
I Max reach at full height	0.91 (3-0)	0.91 (3-0)
J Reach at full height-fully dumped	0.56 (1-10)	0.56 (1-10)
K Dig depth (roe plate horizontal) clearance mm (in)	-10mm (-0.4)	-10mm (-0.4)
L Rollback at ground degrees	30°	30°
M Dump angle degrees	42°	42°
N Shovel width-standard	1.52 (5-0)	1.68 (5-5)

	135	155
	m (ft-in)	m (ft-in)
Q Width over tyres-standard	1.52 (4-11)	1.60 (5-3)
Rared Operating Capacity (ROC) SAE kg	612	703
Bucket Capacity - Standard CuM	0.36	0.40
Maximum tipping load SAE kg	1224	1406
Turning radius		
Bucket corner radius	2.09 (6-10)	2.09 (6-10)
Quickhitch radius	1.10 (3-7)	1.10 (3-7)
Rear chassis radius	1.65 (5-5)	1.65 (5-5)
P Ground clearance mm (in)	210 (8.3)	210 (8.3)
Lift Path	Radial	Radial
Machine Weight (Kg)	2770 Kg	2990 Kg

* All dimensions, weights and timings are variable within 1.5% JCB reserves the right to change specifications without prior notice.

Specifications

ENGINE

	135	155
Make	Perkins 404D-22	Perkins 404D-22T
Power		
ISO 14396 hp (kW)	46 (34) @ 2600 RPM	57 (42) @ 2600 RPM
Gross Torque		
SAE J1995 lb/ft (Nm)	105 (143)	139 (192)
Aspiration	Naturally Aspired	Turbo Charged
Fuel	Diesel	Diesel
Emission certification	BS III	BS III

TRANSMISSION

A full servo controlled hydrostatic transmission giving zero to maximum speed, both forward and reverse at full power. Independent transmission systems for both the left and right side, controlled through servo controls for both precise and easy operation. Transmission power systems maintains full engine power availability maximizing loader and attachment control. Creep speed is standard on 155 machine for precise control when operating attachments.

Model	Max Speed
Travel speed	Km/hr
135	12.0
155	12.0

HYDRAULICS

In addition to the main hydrostatic drive pumps, there is a dedicated loader and attachments supply pump (Auxiliary hydraulics circuit standard on all base models).

- Low lever efforts give excellent and easy control of transmission loader and attachments.
- Auxiliary hydraulics are actuated via the right hand controller giving progressive control of oil flow for precise attachment control.
- Loader arm hydraulic lines under protective steel guard on Power Boom.
- Canister style, full flow, hydraulic oil filter.
- Separate hydraulic pump for transmission charge and hydraulic fan.

Pump flow	70 lpm @ 2600 rpm engine speed
Main relief pressure	3335 psi (230 Bar)
Controls	JCB servo controls - 3 way joystick

CAPACITY

Hydraulic system (including tank)	69 litres
Fuel tank	98 litres
Engine coolant	15 litres
Engine oil	10 litres
LH chain case	19 litres
RH chain case	19 litres

TYRE

Standard Tyre - 135 / 155	10 X 16.5 - 8 PR standard
	Solid Tyre - Optional

ELECTRICALS

Type	12V, negative ground system
Battery	90 AH 900 cold cranking amp (CCA) battery (135), 900 cold cranking amp (CCA) battery (155)
Alternator	65 amp (135), 85 amp (155)
Starter motor	12V
Instrument panel	Cab mounted instrument panel with ignition, fuel gauge, hour meter
Instrument panel with warning lights cluster	Engine coolant temperature, Engine oil pressure, Hydraulic oil temperature, battery charging
Cab mounted fuse and relay box designated to keep dirt and water out	
IP 69 external connections: standard battery isolator	

LIFT PATH

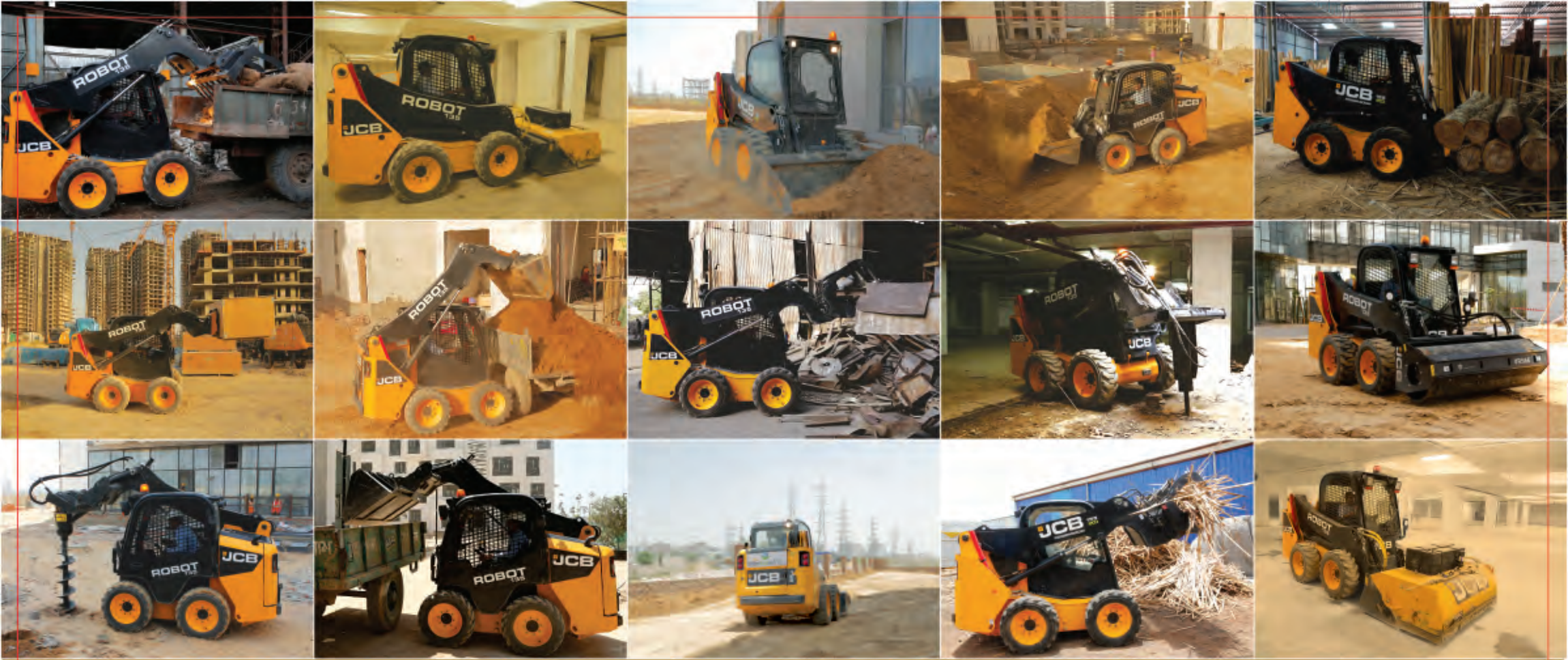
Advantages	Radial. More reach at mid range height. Half the number of pins & rams
------------	---

OPERATOR ENVIRONMENT

Roll over protective structure • Falling over protective structure • Full audio and visual warning systems • Visibility glass on CAB roof • Single arm design • Unequalled all-round visibility • Fully adjustable seat • Seat belt fitted as standard • All in a bigger, more comfortable cab with a superior control layout

SERVICEABILITY

Machine entry /exit Cab Door • Tilting Cab • Rear maintenance door



A COMPACT VERSATILE MACHINE



Your Dealer:



JCB INDIA LIMITED :
 23/7 Mathura Road, Ballabgarh - 121 004 Haryana, India.
 Tel. : + 91 129 4299000 Fax : +91 129 2309050
 E-mail : delhi.marketing@jcb.com Website : www.jcb.com



www.jcb.com

India's Largest Manufacturer of Construction Equipment