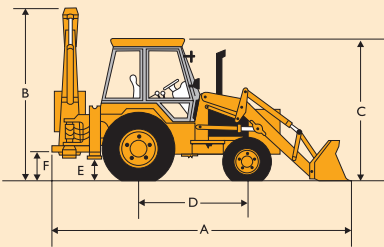




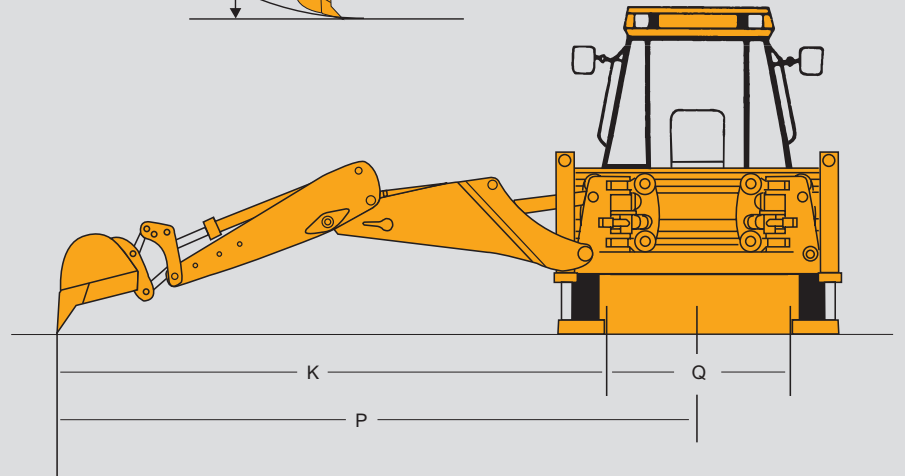
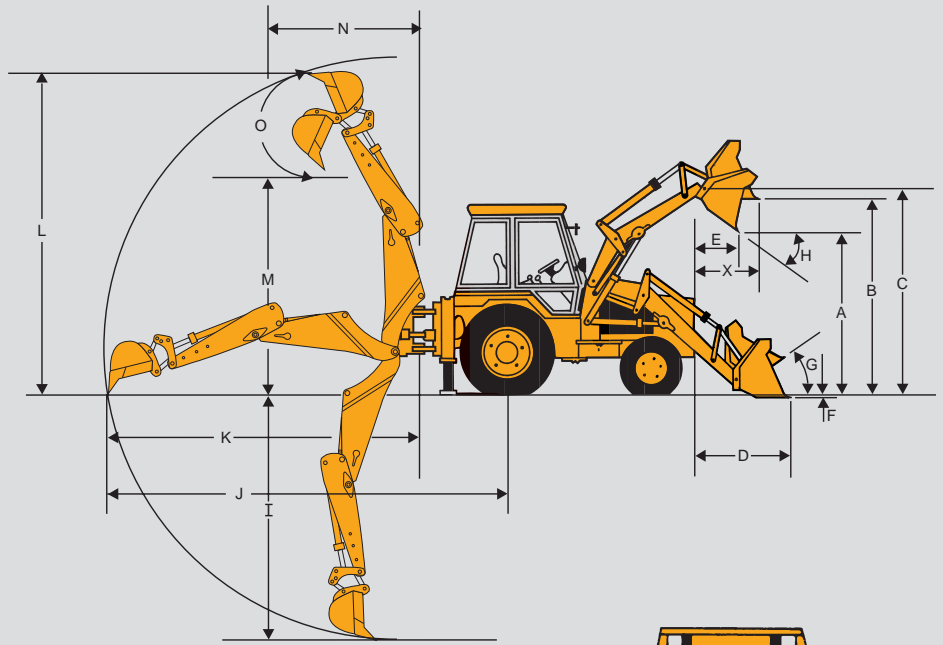
JCB 3D

BACKHOE LOADER

STATIC DIMENSIONS



A Overall length	6.11 m
B Overall height	3.54 m
C Height to top of cab	2.87 m
D Wheelbase	2.13 m (2.17 m for 4 WD)
E Minimum ground clearance	0.34 m (0.27 m for 4 WD)
F Slew ground clearance	0.53 m
Width (over bucket)	2.43 m
Track Width - Front	1.86 m (1.89 m for 4 WD)
Track Width - Rear	1.71 m



LOADER PERFORMANCE

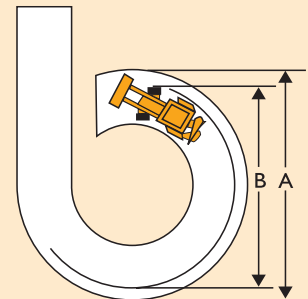
	GP Shovel	6-in-1 Clam shovel
A Dump height	2.70 m	2.64 m
B Loadover height	3.17 m	3.13 m
C Pin height	3.36 m	3.36 m
D Reach at ground	1.48 m	1.52 m
E Reach at full height, bucket dumped	0.77 m	0.76 m
F Below ground level dig depth (toe plate horizontal)	0.08 m	0.12 m
X Max. reach at full height	1.05 m	1.06 m
G Rollback at ground	45°	45°
H Dump angle	45°	53°
Hydraulic lift capacity to full height (SAE J 732)	4450 kgs	4450 kgs
Pay Load	1850 kg	1650 kg
Loader breakout force-bucket	5892 kgf	6087 kgf
Loader breakout force-arms	4725 kgf	4514 kgf

EXCAVATOR PERFORMANCE

I Max. dig depth	4.77 m
J Reach-ground level to rear wheel centre	6.72 m
K Reach-ground level to slew centre	5.40 m
L Max. working height	5.97 m
M Max. loadover height	4.18 m
N Reach at full height to slew centre	2.74 m
O Bucket rotation - power	185°
P Side reach to centre line of machine	6.02 m
Q King post travel	1.06 m
Bucket tearout force	5700 kgf
Dipper tearout force	3010 kgf
Lift capacity to bucket pivot at full reach. (no bucket fitted) (SAE J 31)	1490 kg

(Data with standard dipper)

TURNING CIRCLE



	2WD	4WD
Inner wheel braked		
A* Outside Loader Bucket	8.9 m	10.66 m
B Outside Wheels	6.0 m	7.71 m
Inner wheel not braked		
A* Outside Loader Bucket	11.8 m	11.78 m
B Outside Wheels	8.9 m	9.80 m

*Standard Bucket in Travel Position

ENGINE

Kirloskar 4R1040, four cylinder, water cooled diesel, delivering Gross Power of 57 KW (76 HP) at 2200 RPM as per BS Au 141 a and net power of 53.8 KW (72 HP) at 2200 RPM (ISO 3046 IFN). Maximum net torque 29.5 kgm.

TRANSMISSION

JCB Synchroshuttle transmission incorporating Torque converter, reversing shuttle and synchromesh 4 speed gear box in one resiliently mounted unit.

Electro-hydraulic direction control through a steering column mounted switch for forward/reverse shuttling. Foot pedal operated, transmission disconnect switch for on-the-move gear change.

Torque converter stall ratio 2.83:1.

AXLES

Rear: Drive axle rigidly mounted, incorporates JCB Max-Trac torque proportioning differential, driven by short propshaft from gear box.

Front: Steer axle, centrally pivoted, with oscillation angle of 16°.

BRAKES

Service: Hydraulically actuated, dual line, self adjusting, oil immersed, multi-disc type on the rear axle, well protected from dirt, water etc., requiring no maintenance.

Through independent pedals linked together for normal use.

Parking: Hand-operated disc brake on gear box output.

STEERING

Full power, front wheel hydrostatic power steering with manual capability in the event of engine or hydraulic power failure. Hydraulic supply from pump via priority valve. Working pressure 1750 psi (121 bar)

HYDRAULICS

3300 psi (228 Bar) system; Pump flow: 101 lpm at 2200 RPM.

Filtration through suction strainer and return line 'JCB Filtromatic Filter'.

ELECTRICALS

12 Volts system with battery and alternator and full road lighting.

OPERATOR'S MODULE

Safety Cab to ROPS (Roll-over Protection System) & FOPS (Falling Objects Protection System), two door walk through access, safety glass all round. Fitments include: purpose designed JCB seat, rear view mirror, interior light, front screen wiper, horn and face level fan.

Operator controls include throttle, independent foot brake pedals, parking brake, transmission disconnect pedal, gear shift, power shuttle lever, 4 wheel engage/disengage lever, hydraulic control levers and steering wheel.

Instrument panel includes tachometer, hourmeter, water temperature gauge, fuel gauge and audio-visual warning for transmission oil pressure, oil pressure generator, 'No-Charge' and parking brake on.

TYRES

Front: 9.00 x 16-16 PR

Rear: 16.90 x 28-12 PR

SPEED

	Forward km/h	Reverse km/h
1st	5.81	5.81
2nd	9.57	9.57
3rd	16.29	Not Recommended
4th	29.50	Not Recommended

(Standard tyres, with zero torque converter slip)

SERVICE CAPACITIES

Hydraulic system	110 lt
Fuel tank	85 lt
Engine coolant	15 lt
Engine oil	11 lt
Axle	25 lt
Transmission	21 lt

WEIGHT

Shipping 7060 kgs
(With 2WD, Standard buckets)

OPTIONS

- **Loader Buckets**
Capacities - 1.00 cu.m. (G.P.), 1.20 cu.m.
- **6-in-1 Clam shovel Bucket** to dig, load, grade, grab, doze and backfill.
- **Bucket Mounted Fork lift** (SWL 1016 kgs.)
- **Jib Crane** (SWL 1016 kgs.)
- **Excavator Buckets**
Capacities - 0.06 cu.m., 0.09 cu.m., 0.12 cu.m., 0.18 cu.m., 0.24 cu.m., 0.30 cu.m.
- **Ditch Cleaning Bucket**
- **Taper Ditching Bucket**
- **Square Hole Bucket**
- **Rock Breaker**
- **Ripper Tooth**
- **JCB Telescopic Dipper**
Provides up to 1 m of extra reach when compared with the standard dipper. Maximum dig depth, extended 5.77 m. Reach at ground from slew centre, extended 6.53 m. Maximum loadover height, extended 5.05 m. Lift capacity at bucket pivot at maximum extended reach, no bucket fitted 825 kg. Auxiliary valve block enables fitment of JCB Telescopic Dipper.
- **Smooth Ride System (SRS)**
- **4 Wheel Drive** Available for extra site mobility in difficult terrain. Ideal for applications such as site stripping and basement digging. 2 or 4 wheel drive operation selectable from within the cab.
- **Heavy Duty Rear Tyres**
14x25-20 PR
- **Industrial Tyres**
16.9x28-12 PR
- **Tipping Lever-Speed**
201° Bucket Rotation
- **Tipping Lever Hook**
- **Hydraulic Tool Circuit (HTC)**
Provision to hydraulically operate hand held tools viz. Road Breaker, Submersible Pump and Disc cutter.



JCB INDIA LIMITED

23/7, Mathura Road, Ballabgarh-121 004, Haryana, India.
Tel: 0129-2309000, Fax: 0129-2309050. (While dialling from Delhi please dial '95129' instead of the STD Code.)
Website: www.jcbindia.com email: marketing@jcbindia.com